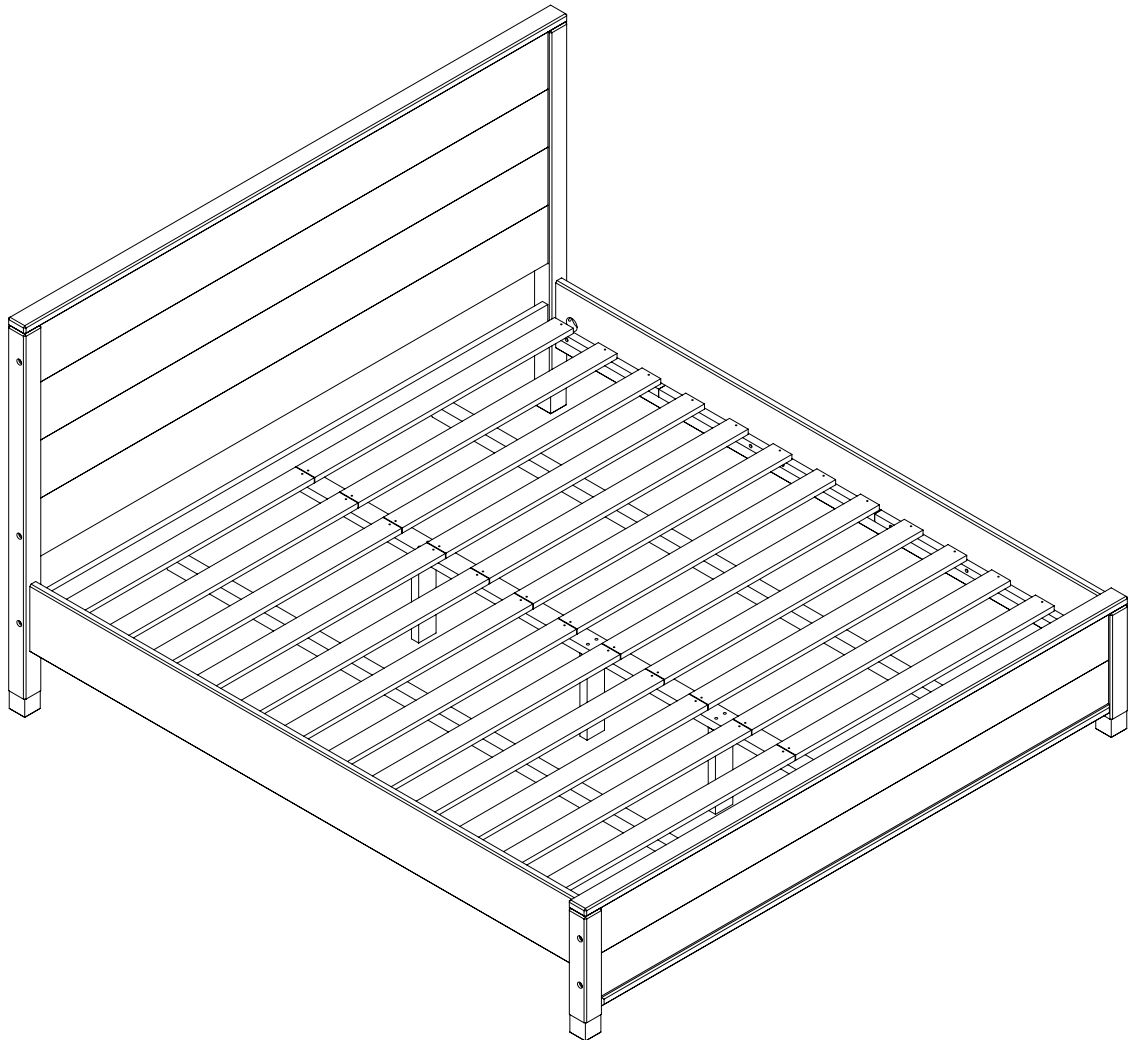


Baja Platform Bed - King Size

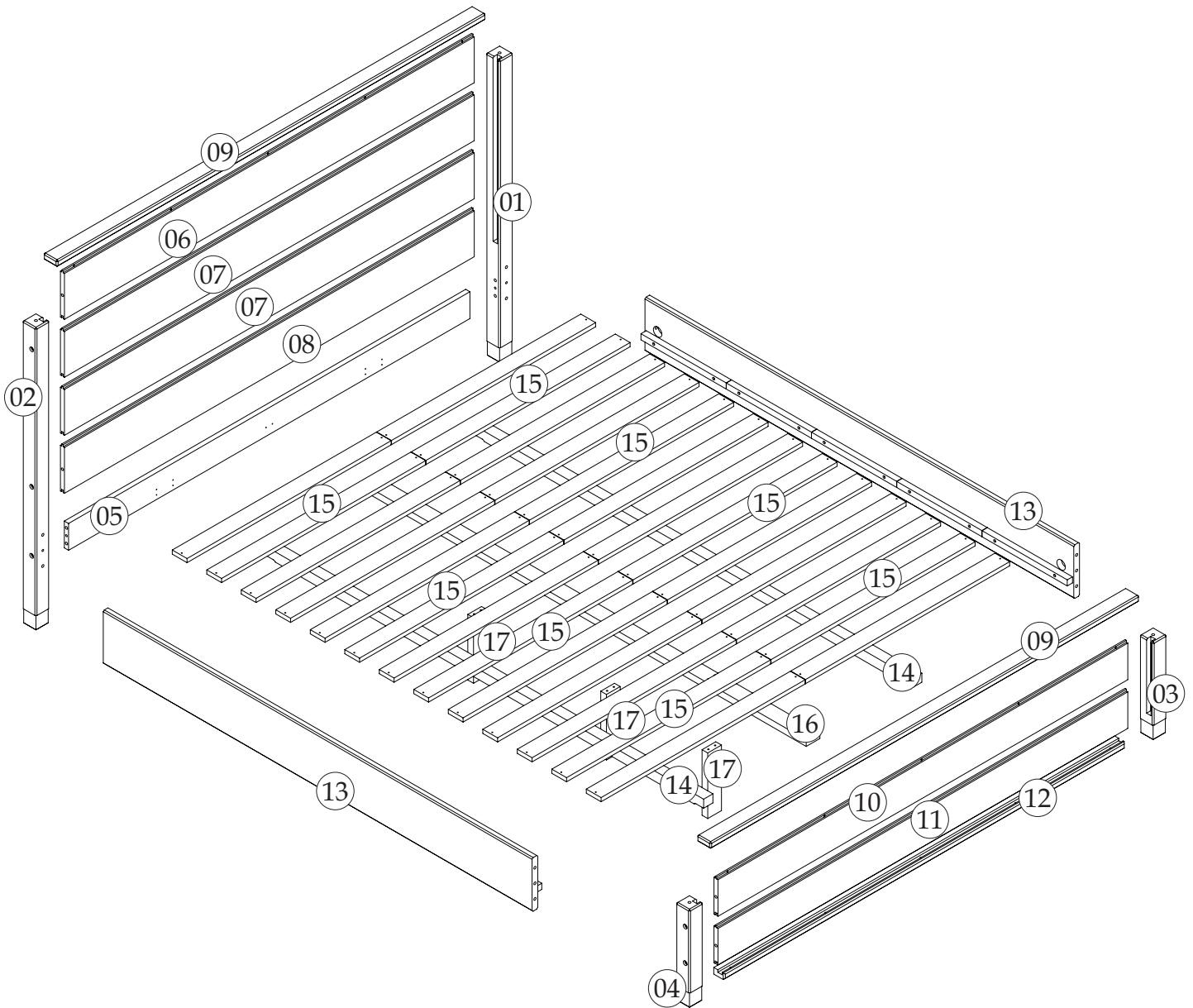


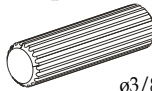
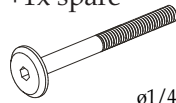

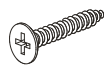
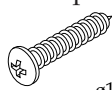
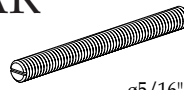
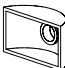
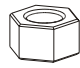


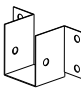
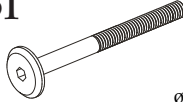
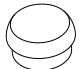
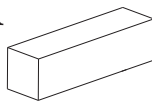

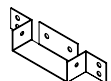
ATTENTION

- 1 - Read and observe carefully all the assembly instructions before beginning assembly.
- 2 - The assembly of the product must be done on a clean and flat surface. We suggest to use the packaging to cover the floor to avoid damages.
- 3 - The screws must be tightened periodically.
- 4 - Avoid contact with sharp objects.
- 5 - Avoid banging pieces together.

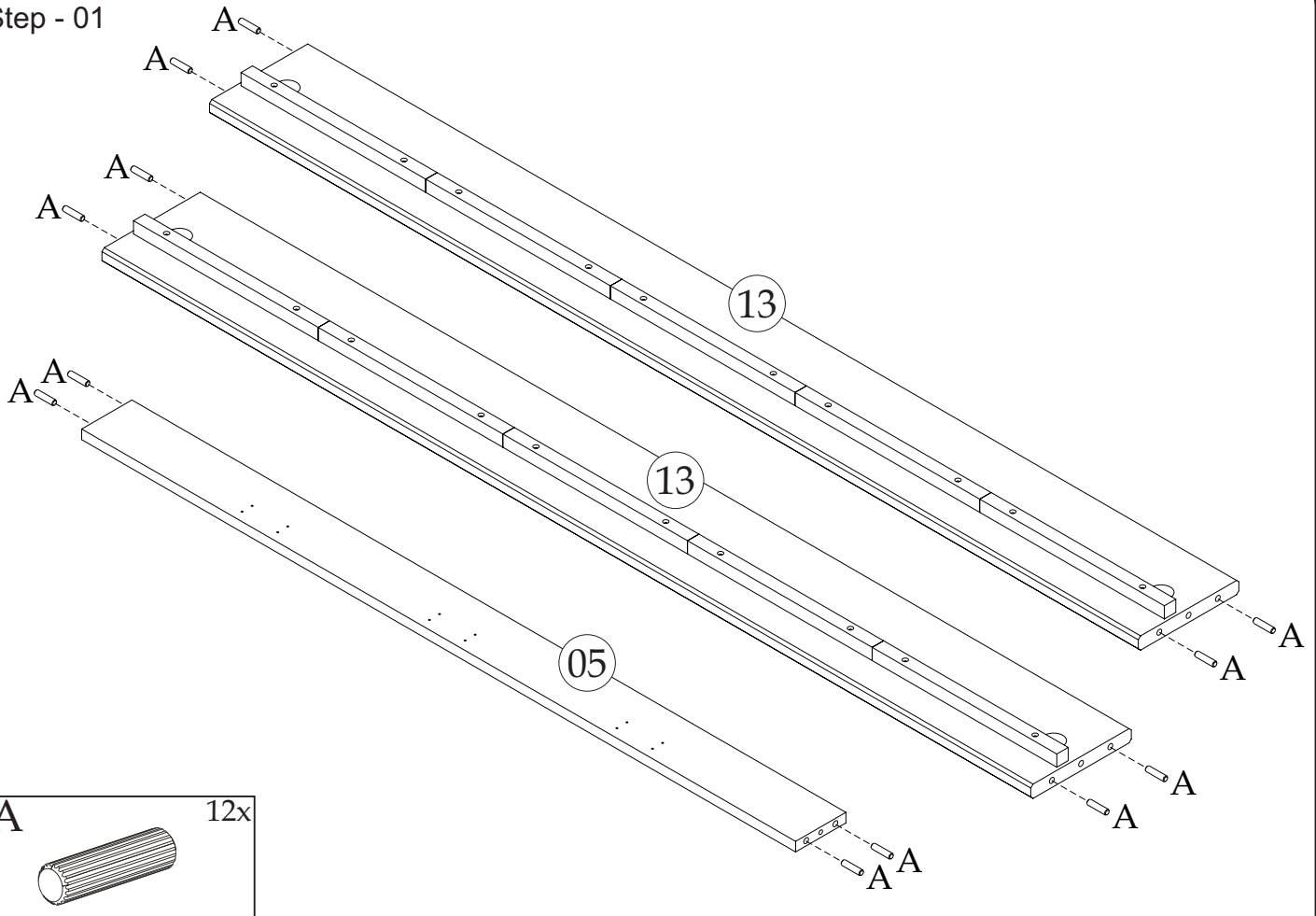


Parts and hardware list for assembly.
Please confirm all parts available before assembly.

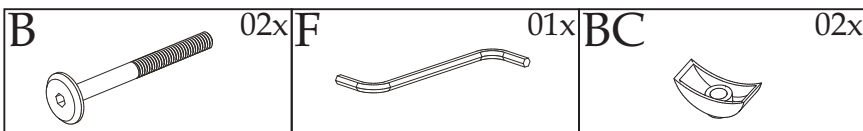
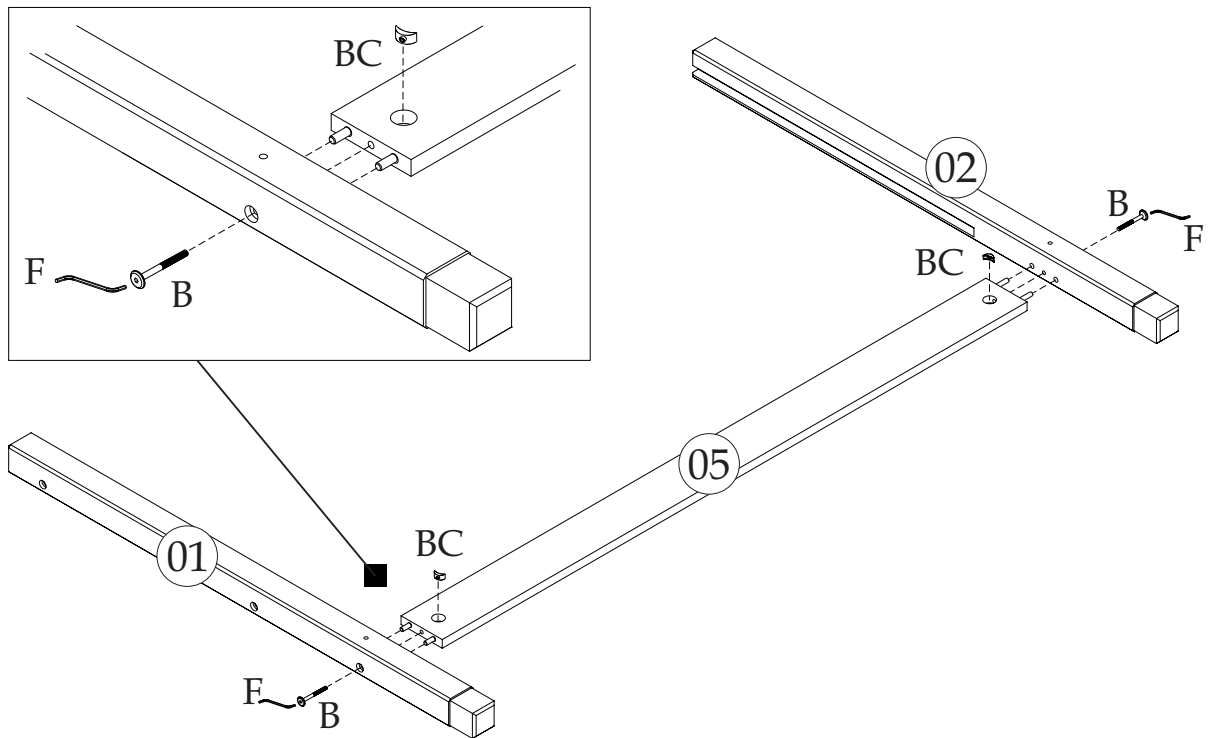


A +2x spare 16x  ø3/8" x 1 9/16"	B +1x spare 10x  ø1/4" x 4 1/4"	F +1x spare 01x  1/4" x 4 1/4"	Z +2x spare 40x  ø1/8" x 5/8"
AP +2x spare 67x  ø1/8" x 1 3/8"	AR 02x  ø5/16" x 3 1/2"	AS 02x  1/2" x 1 1/4"	AT +1x spare 02x  ø5/16"
AU 01x  1/2"	BC +1x spare 12x  1/4"	BF 04x 	BI 02x  ø1/4" x 5"
BJ +2x spare 10x  ø3/4"	BK 02x  3 1/2"	BL 06x  ø1/4" x 2"	BU 02x 

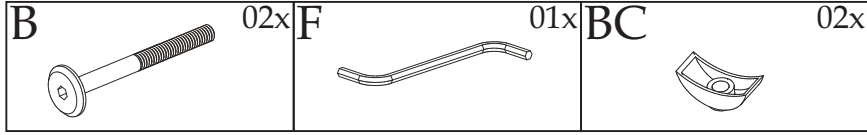
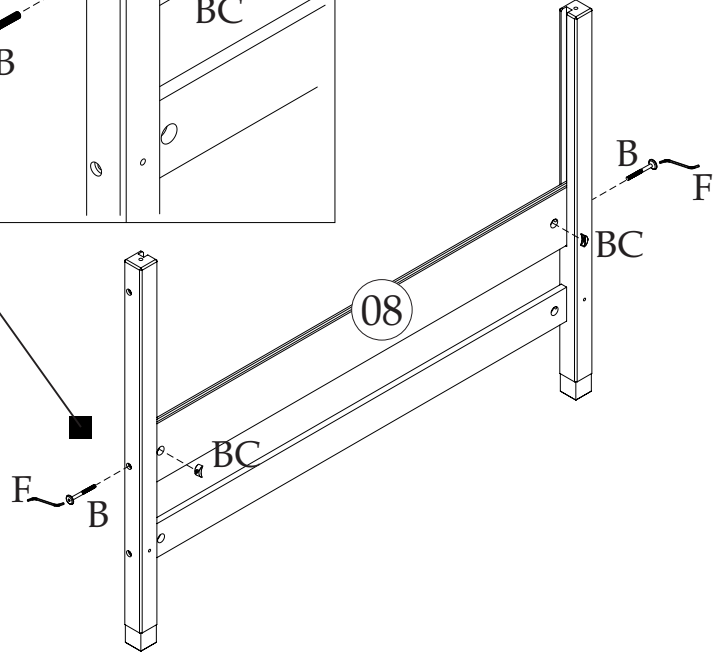
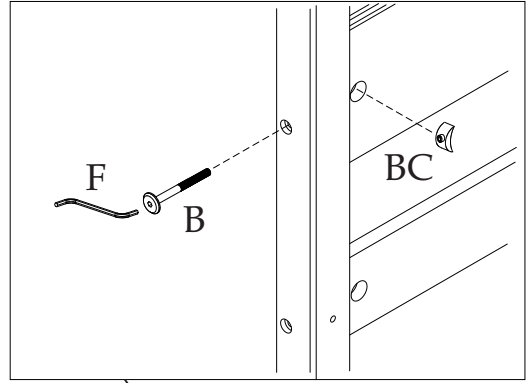
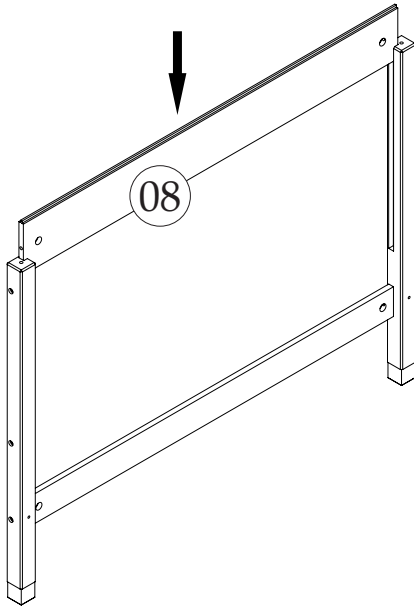
Step - 01



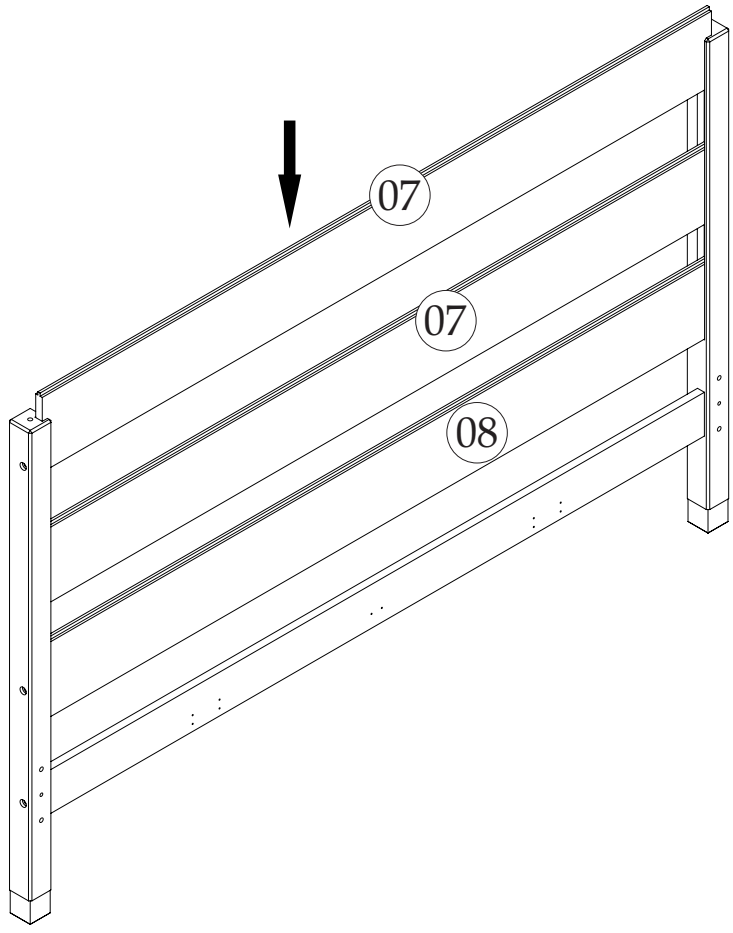
Step - 02



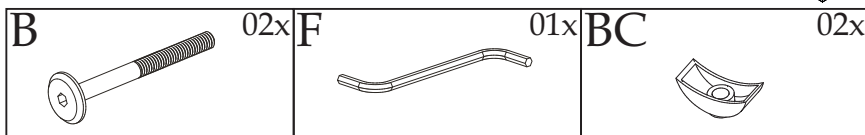
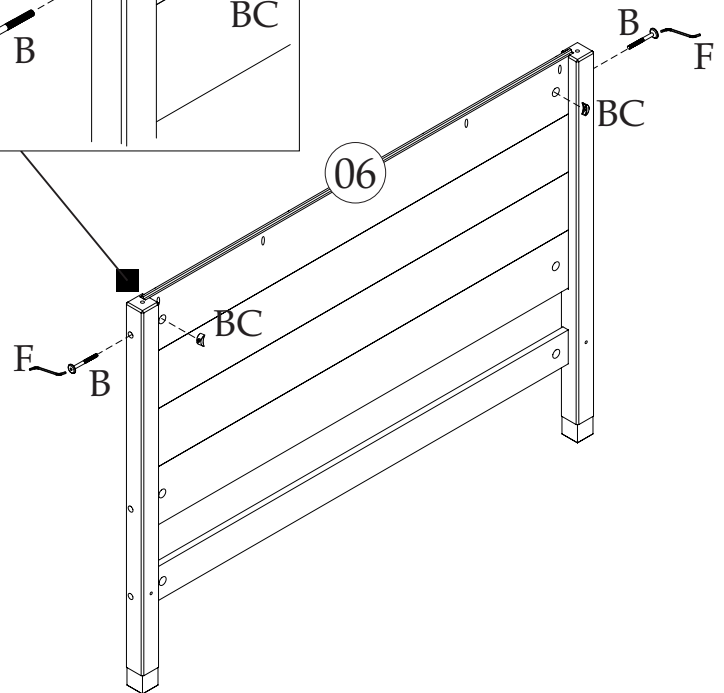
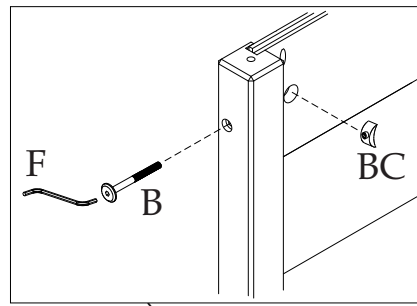
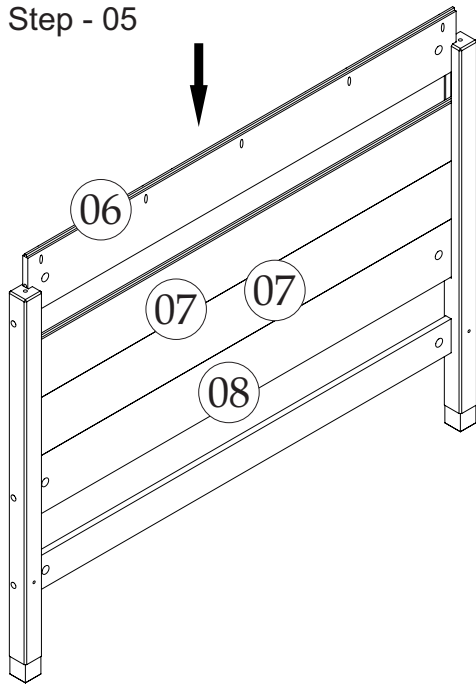
Step - 03



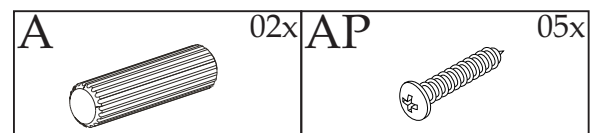
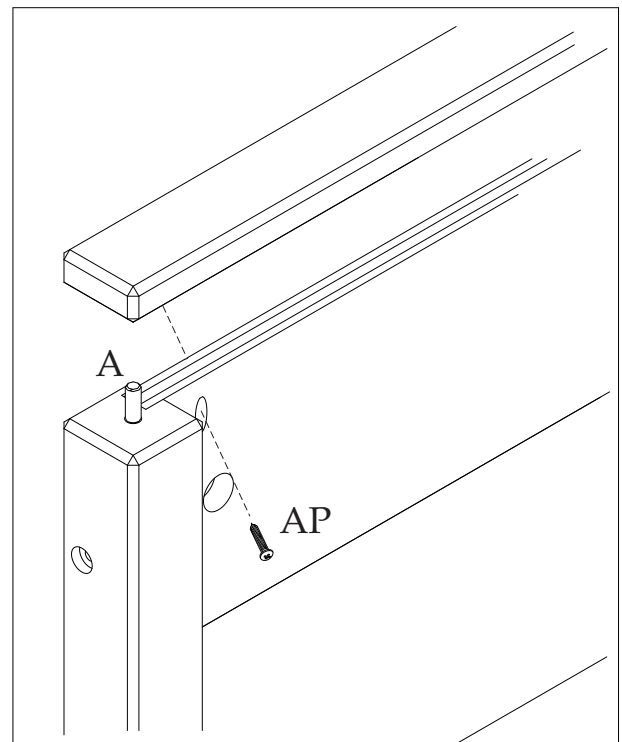
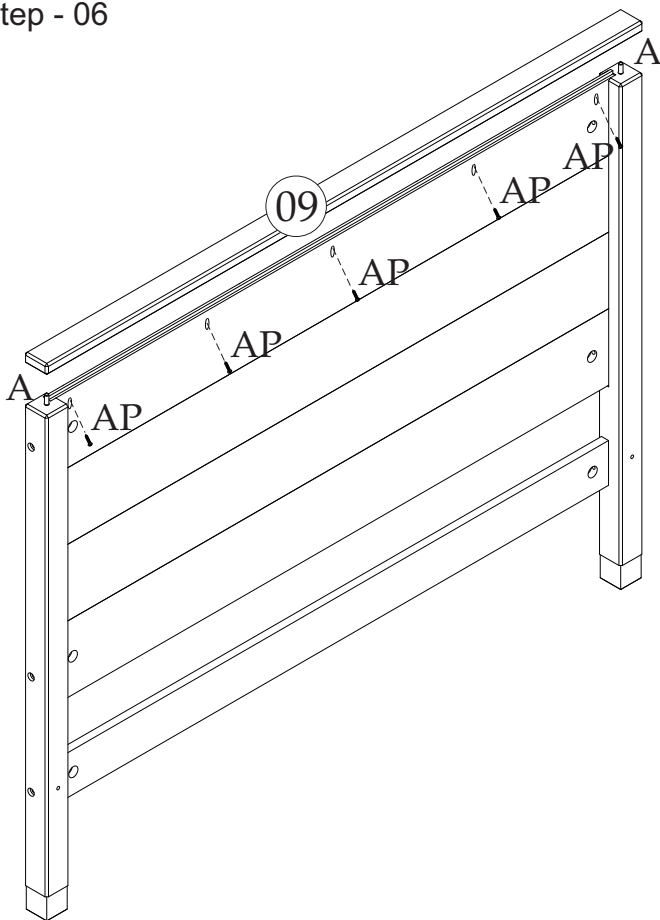
Step - 04



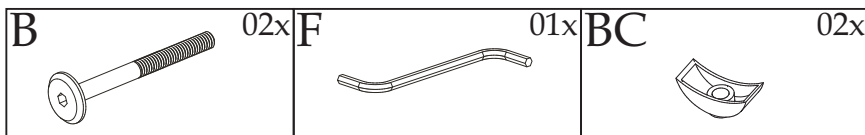
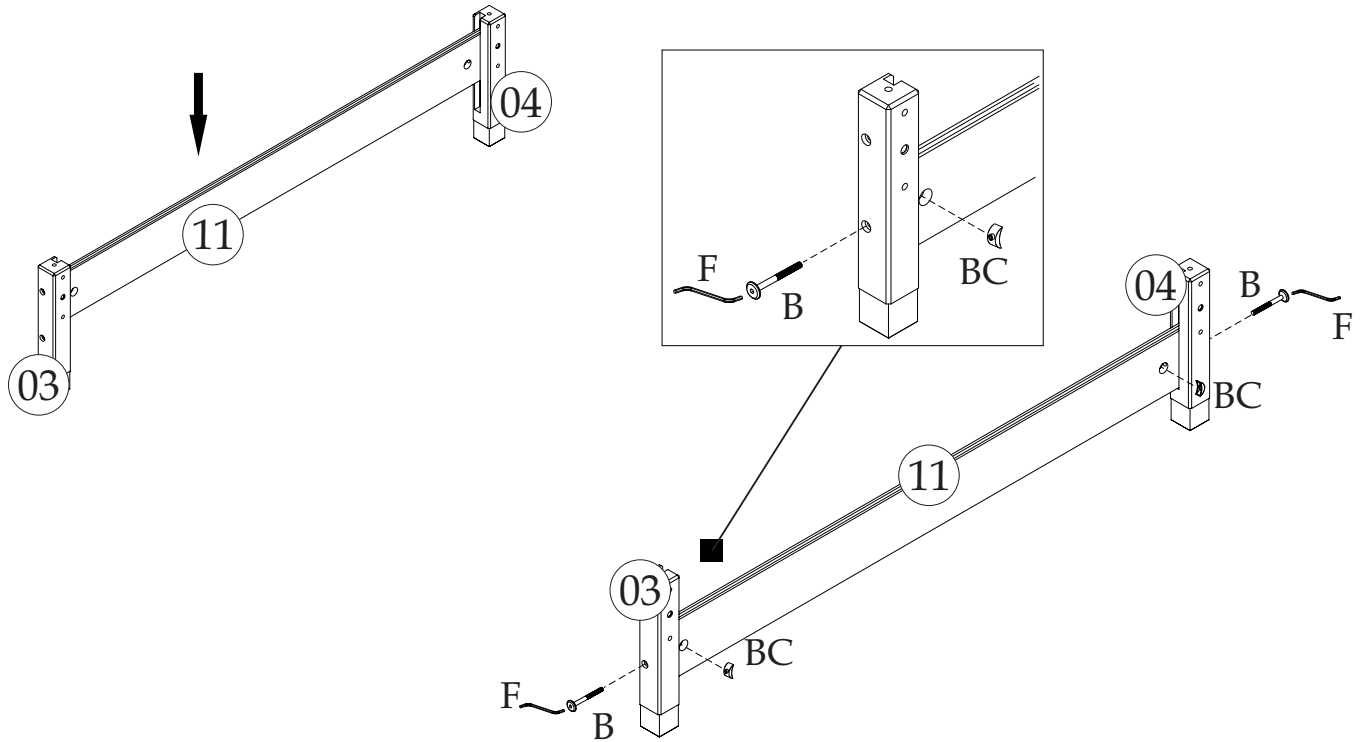
Step - 05



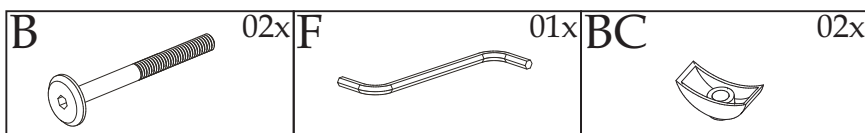
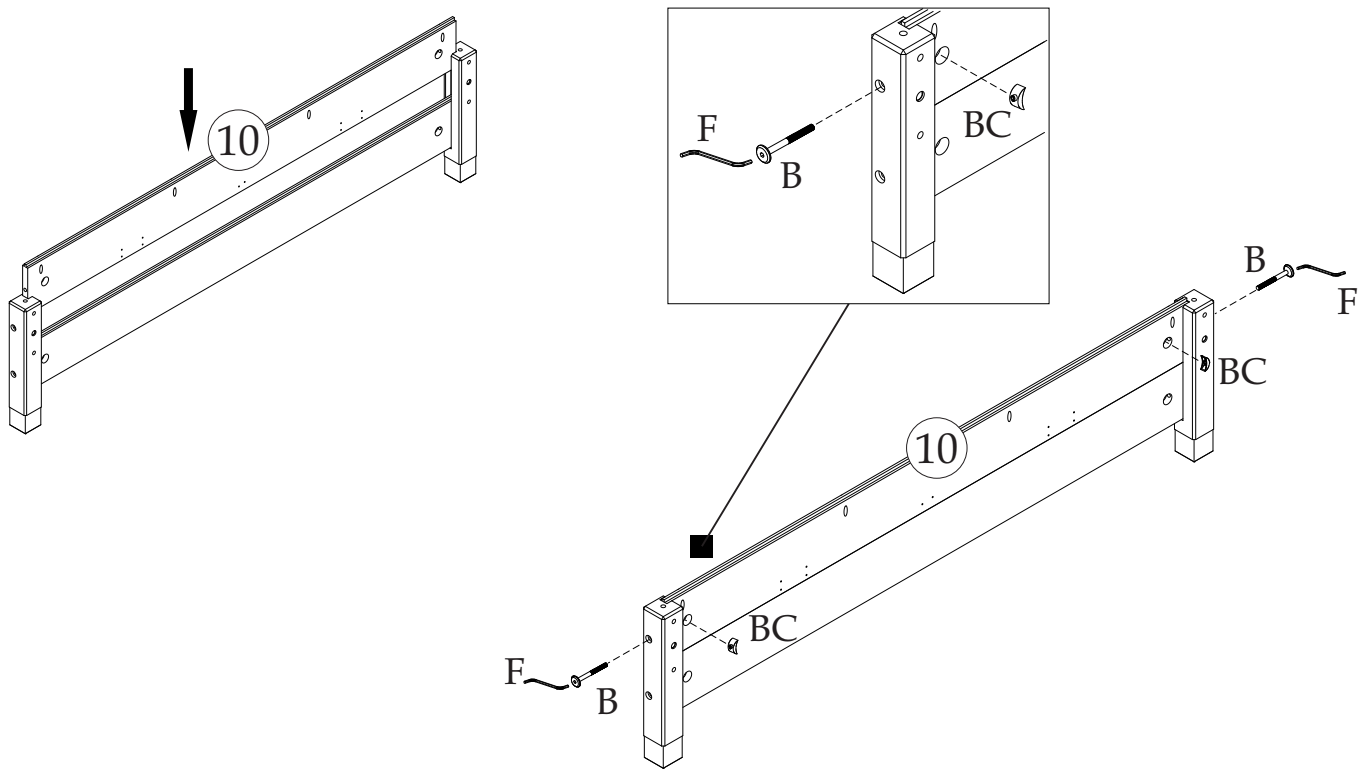
Step - 06



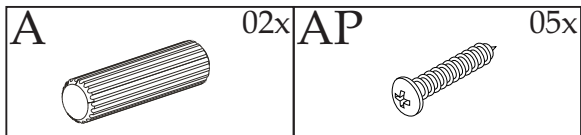
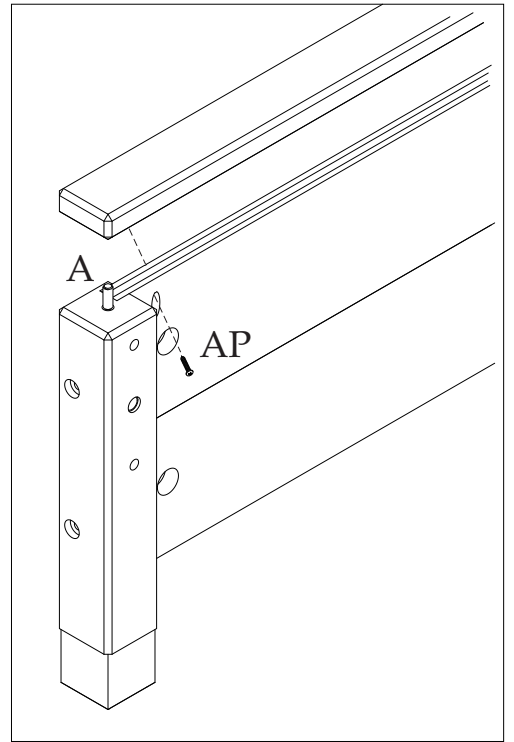
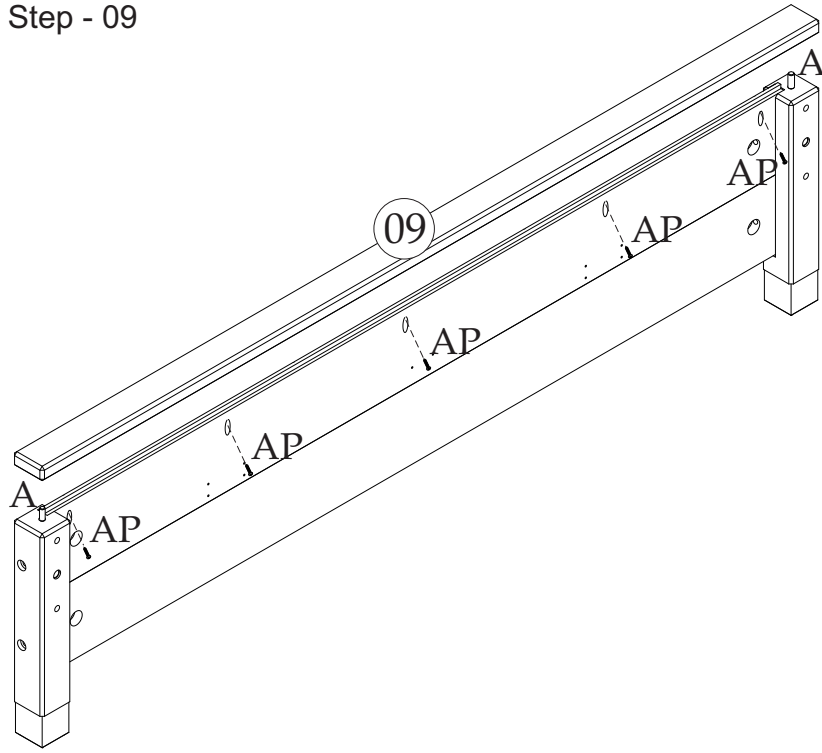
Step - 07



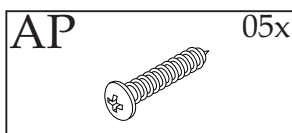
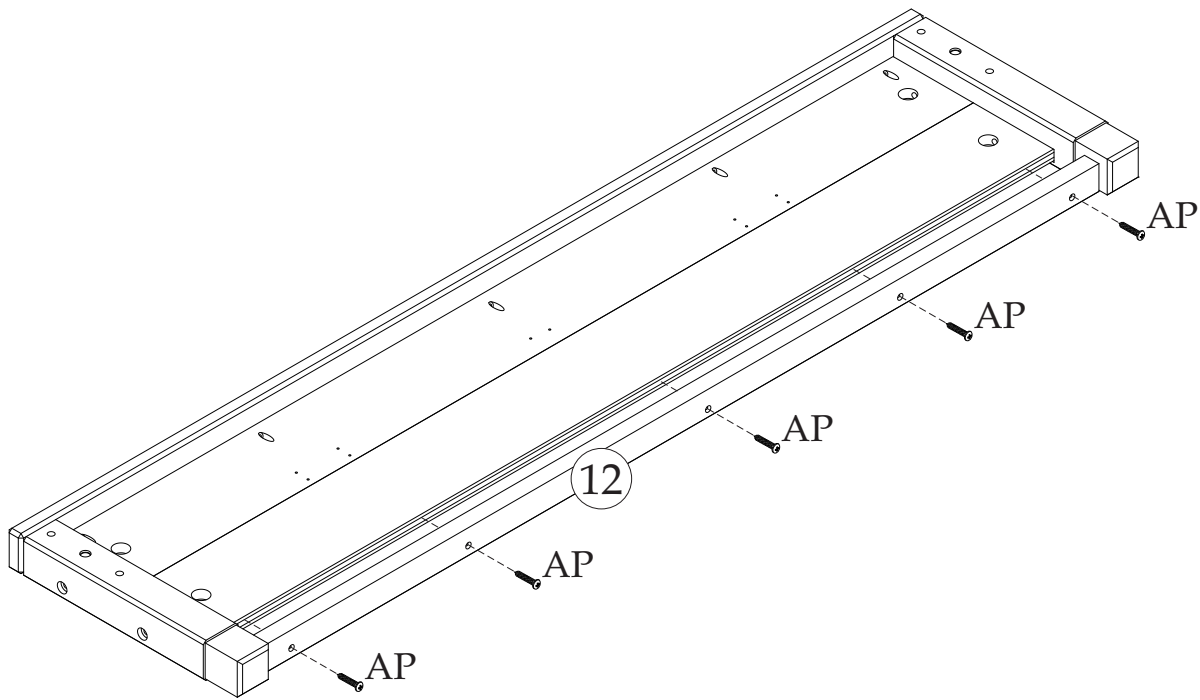
Step - 08



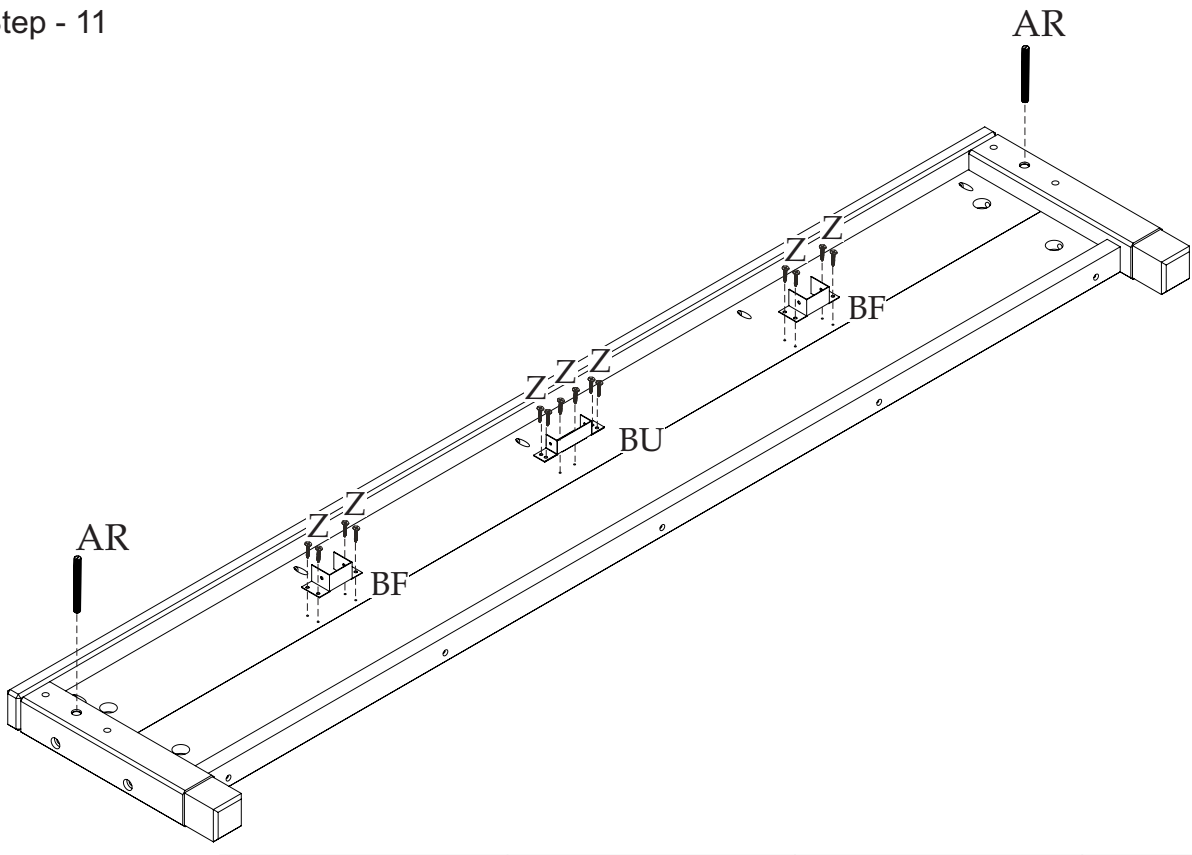
Step - 09

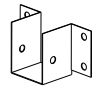


Step - 10

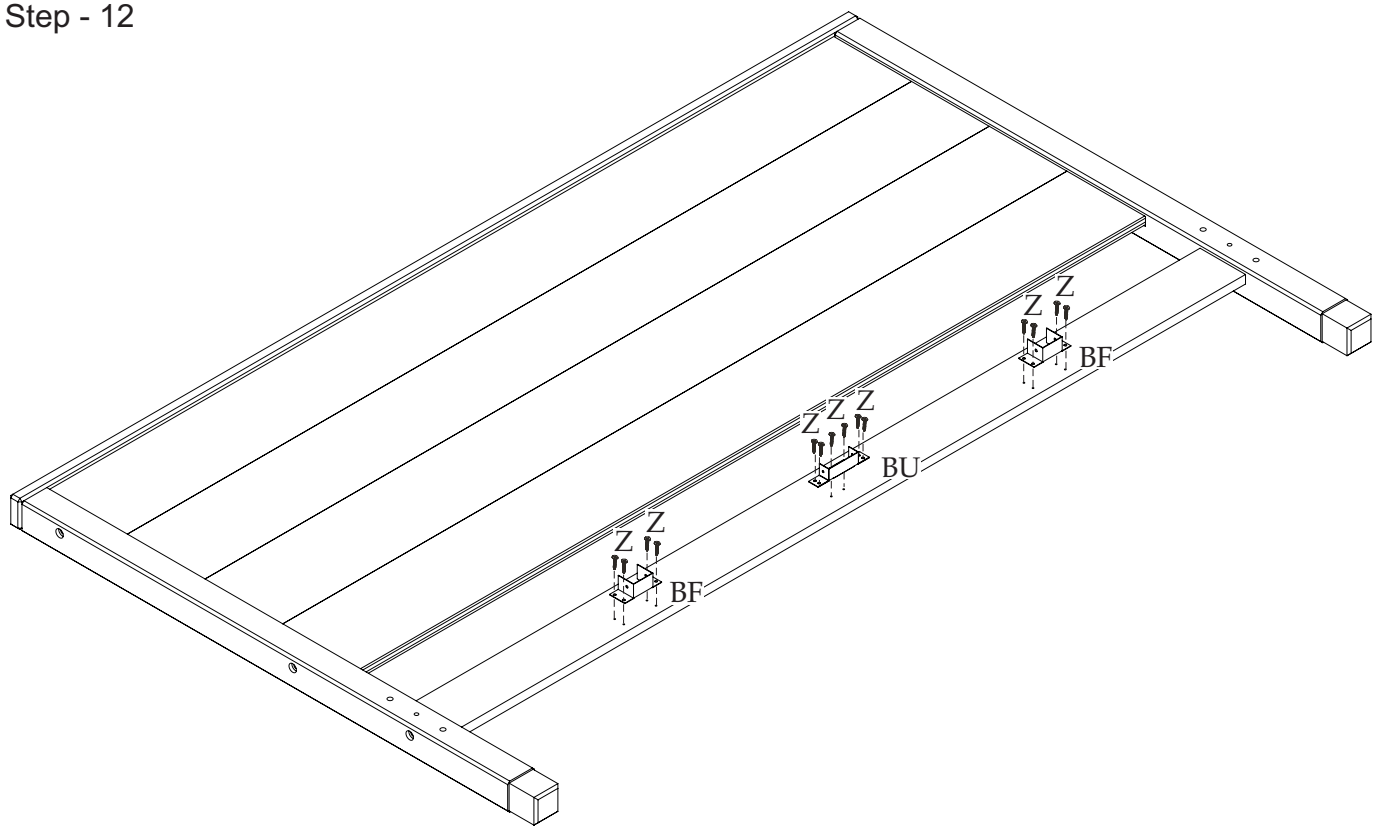


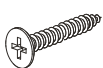
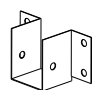
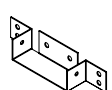
Step - 11



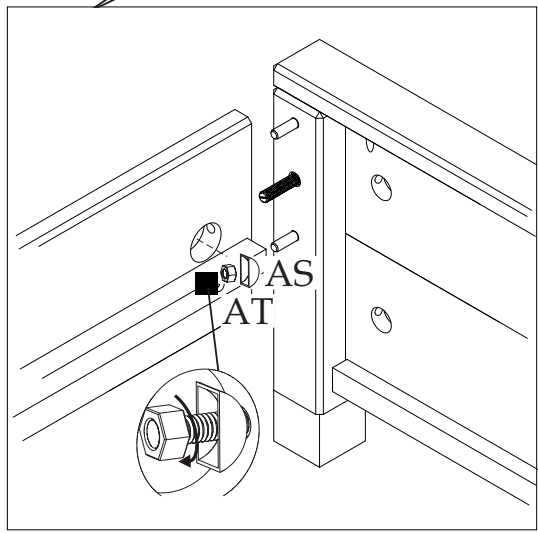
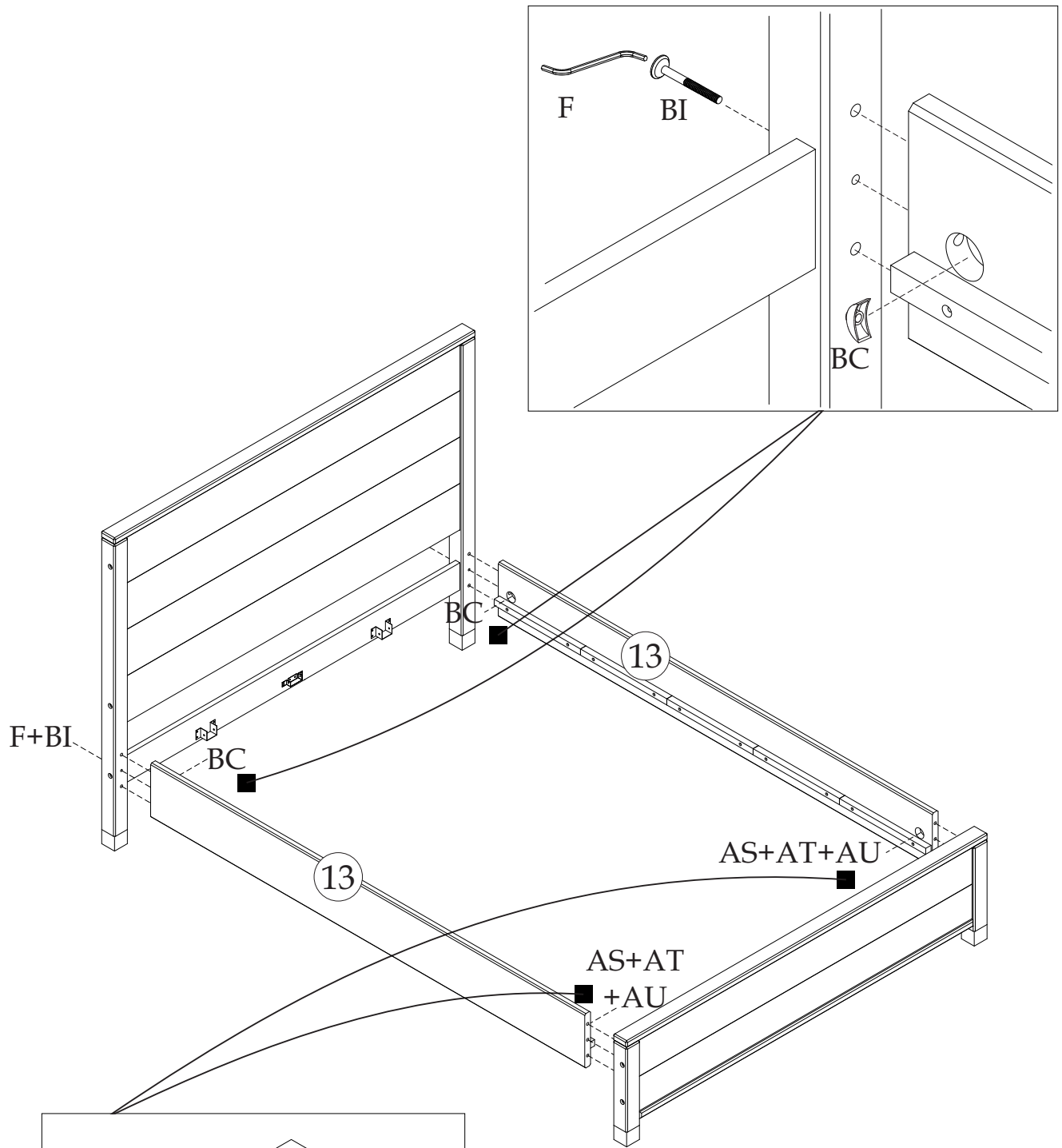
Z	14x	AR	02x	BF	02x	BU	01x
							

Step - 12



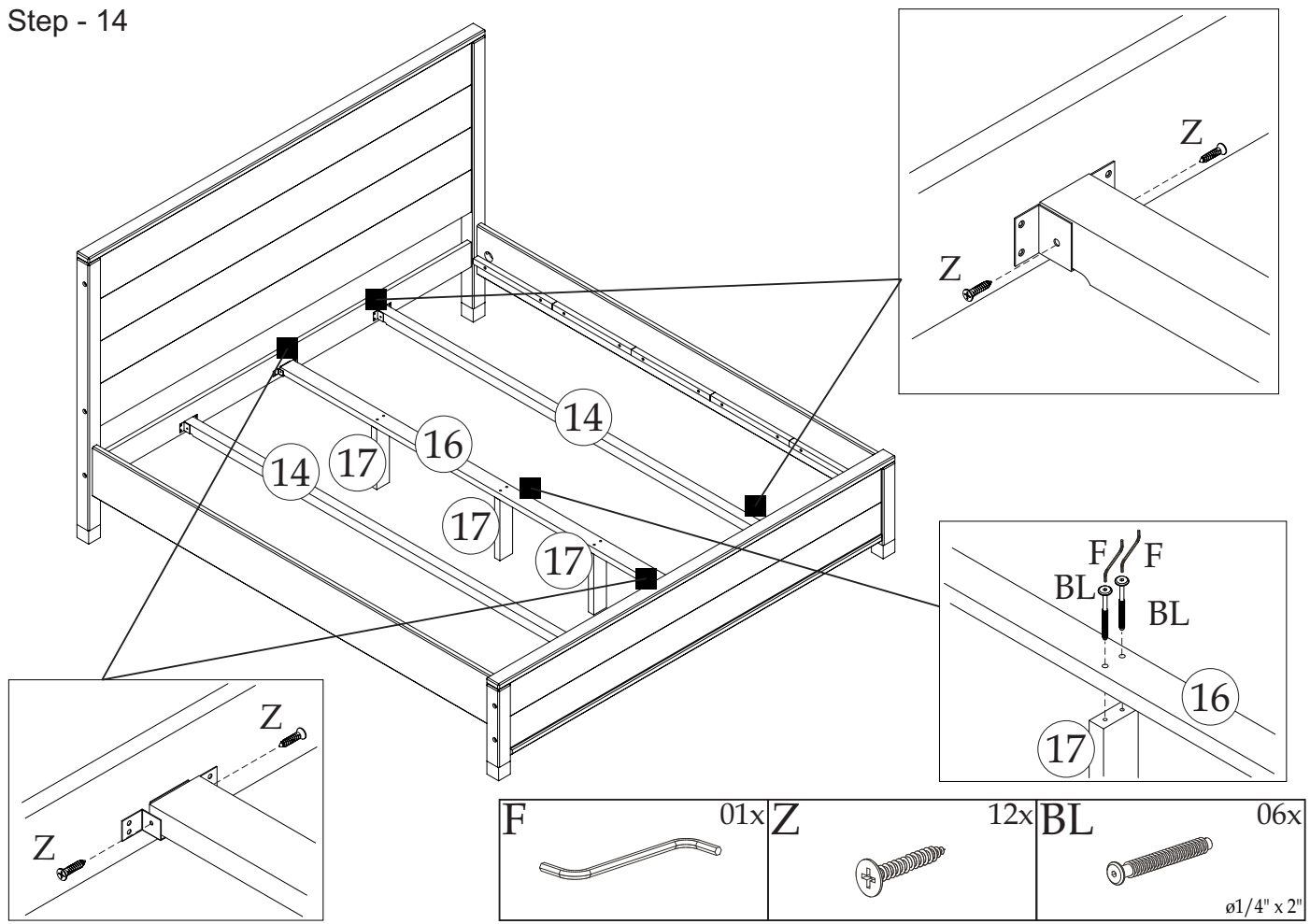
Z	14x	BF	02x	BU	01x
					

Step - 13

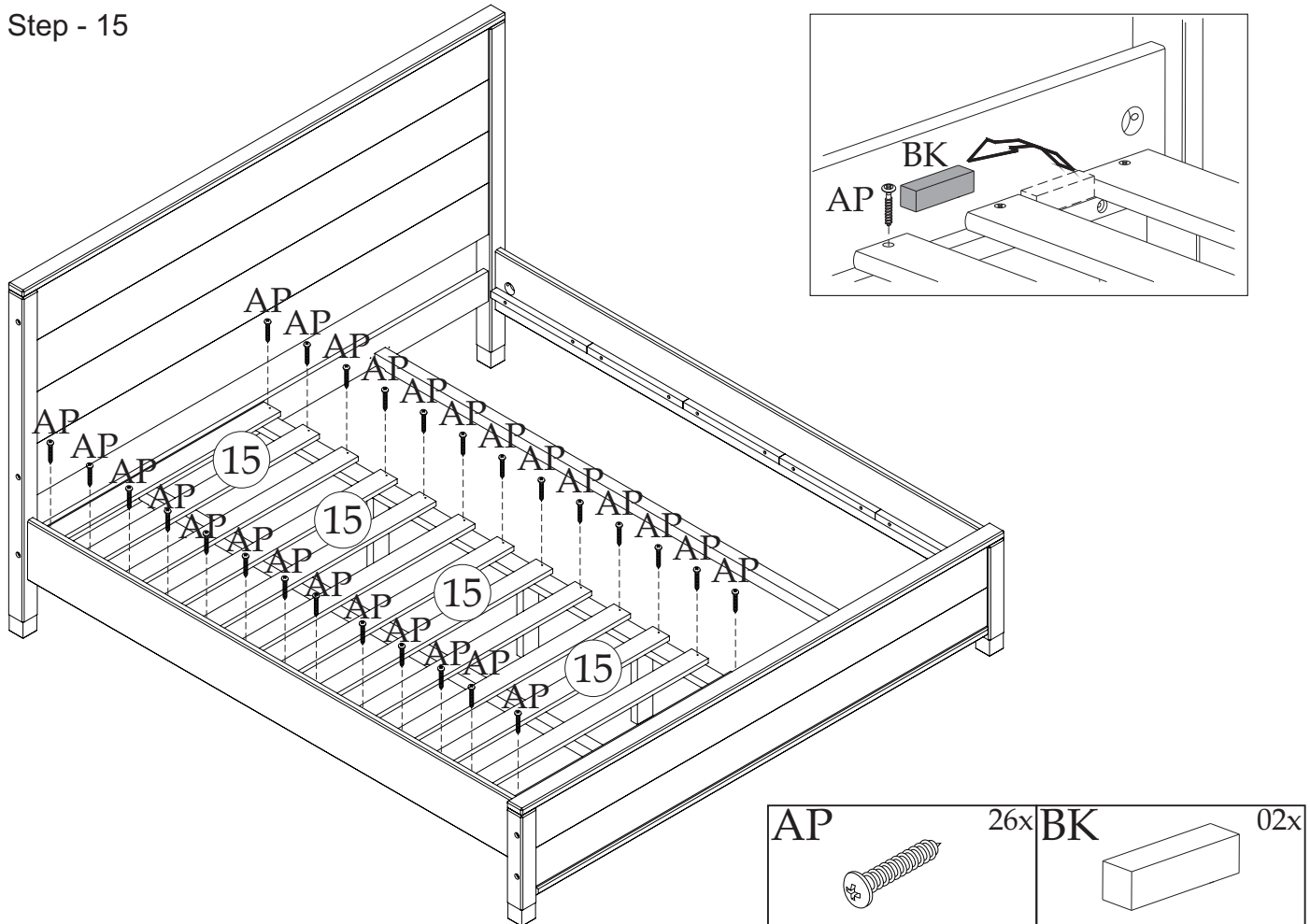


F	01x	AS	02x
AT	02x	AU	01x
BC	02x	BI	02x

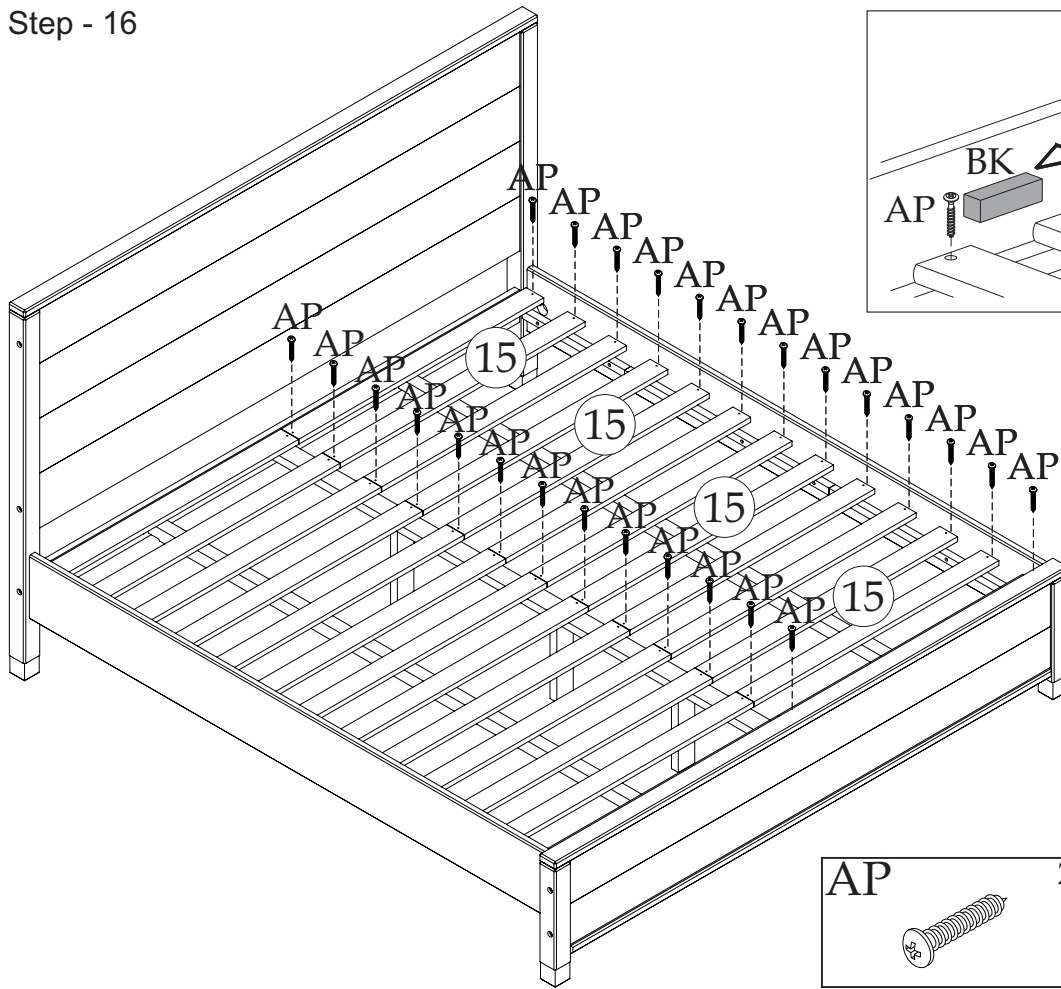
Step - 14



Step - 15



Step - 16



Step - 17

